

AV Series

LONG REACH MICROSCOPE STANDS

By
GT Vision Ltd

www.gtvision.co.uk



AV Series

LONG REACH MICROSCOPE STANDS

The new AV series of long reach microscope stands are designed to provide a highly stable and adjustable viewing platform for microscopes, cameras and lenses.

The stands are constructed from high quality materials and designed to last. They are robust and can be used in almost any environment.

The stands are constructed from interchangeable components so your stand can easily be upgraded or expanded.

One emphasis in design has been trying to create a substantial stand design that is both stable and yet considerably lighter in weight to alternative stand systems. This makes the AV Series highly unique.

The range of microscope/camera/lens holders that can be used is very comprehensive making almost every type of microscope compatible.

Each stand is extremely quick and easy to construct taking just a few minutes before you can start using it to look at your specimens.



- High quality
- High stability
- Easy to adjust
- Simple to assemble
- Lightweight
- Amazing value for money
- High load capacity
- Huge variety of stand configurations
- Suitable for almost all microscopes, cameras and lens systems

AV Series

LONG REACH MICROSCOPE STANDS



A20-40 Long Reach, Boom Arm, Desk Base, Microscope Stand



A30-40 Long Reach, Boom Arm, G-Clamp, Microscope Stand



A30-50 Long Reach, Articulated Arm, G-Clamp Stand



A20-50 Long Reach, Articulated Arm, Desk Base Stand

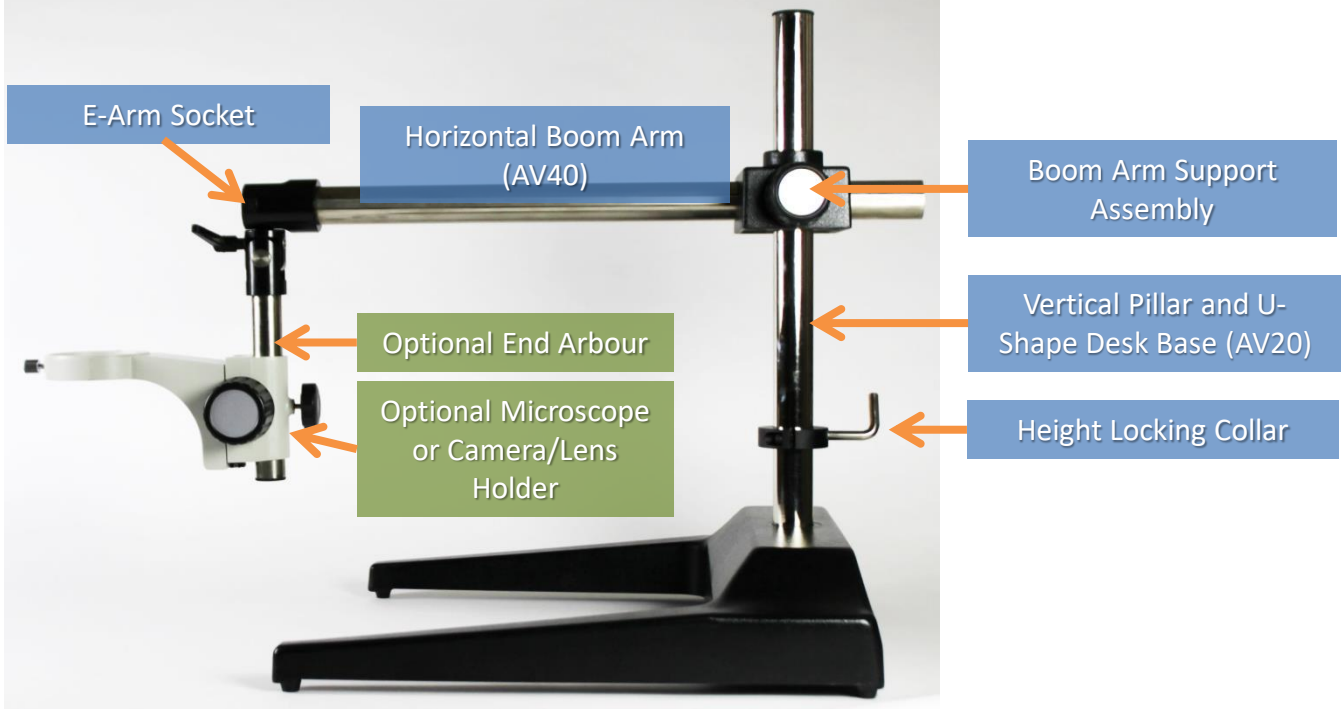


A50-03-50 Long Reach Articulated Arm, Wall Mount

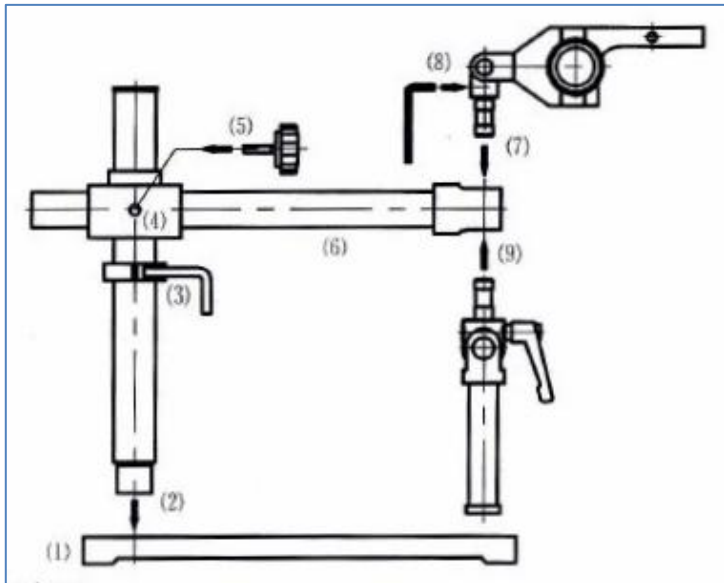


A50-02-50 Long Reach Articulated Arm, Fixed Table Mount

A20-40 Long Reach, Boom Arm, Desk Base, Microscope Stand



Vertical Pillar and U-Shape Desk Base (AV20)



A20-40 Long Reach, Articulated Arm, U-Shape Desk Stand

A20-40

Example Configurations

A20-40-60-25-7247

G-Clamp Pillar + Articulated Arm + 25mm End Arbour + 76mm Microscope Holder



A20-40-60-25-7247 + Microscope & Camera

G-Clamp Pillar + Articulated Arm + 25mm End Arbour + 76mm Microscope Holder + MZS-T Ultra Long Working Distance Stereo Zoom Trinocular Microscope Head (8176) + C-Mount Camera Adapter (3898) + GXCAM HiChrome-MET Camera with Built-in Screen (0843) + iLUMos Dual Gooseneck LED Light (0511i)



A20-40-60-25-7247 + Microscope

G-Clamp Pillar + Articulated Arm + 25mm End Arbour + 76mm Microscope Holder + Aspen GTS6 Stereo Zoom Trinocular Microscope Head (A1060H) + iLUMos Dual Gooseneck LED Light (0511i)

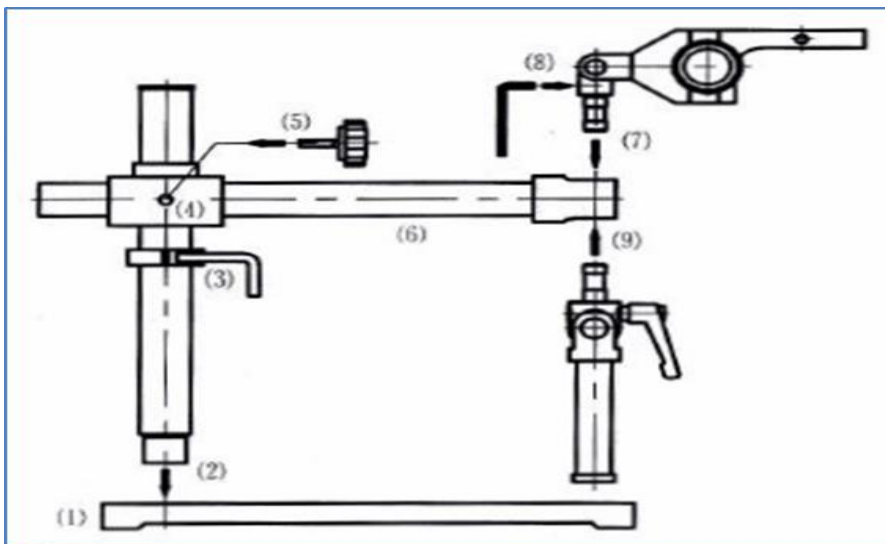
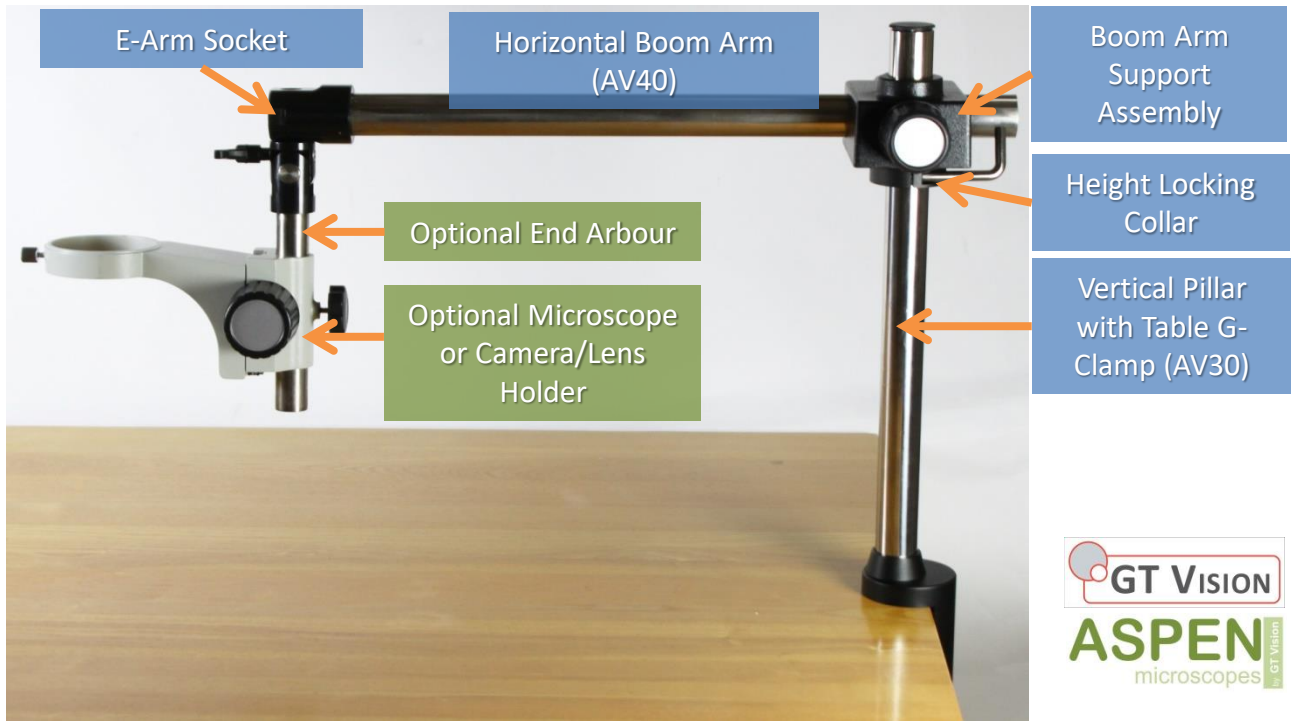


A20-40-60-25-4673 + Microscope

G-Clamp Pillar + Articulated Arm + 25mm End Arbour + 76mm Microscope Holder + XTL-Axial View, Stereo Zoom Trinocular Microscope Head (A1043) + iLUMos Dual Gooseneck LED Light (0511i)



A30-40 Long Reach, Boom Arm, G-Clamp, Microscope Stand



A30-40 Long Reach, Articulated Arm, G-Clamp Table Stand

A30-40

Example Configurations

A30-40-60-25

G-Clamp Pillar + Articulated Arm + 25mm End
Arbour



A30-40-60-25-7247

G-Clamp Pillar + Articulated Arm + 25mm End
Arbour + 76mm Microscope Holder



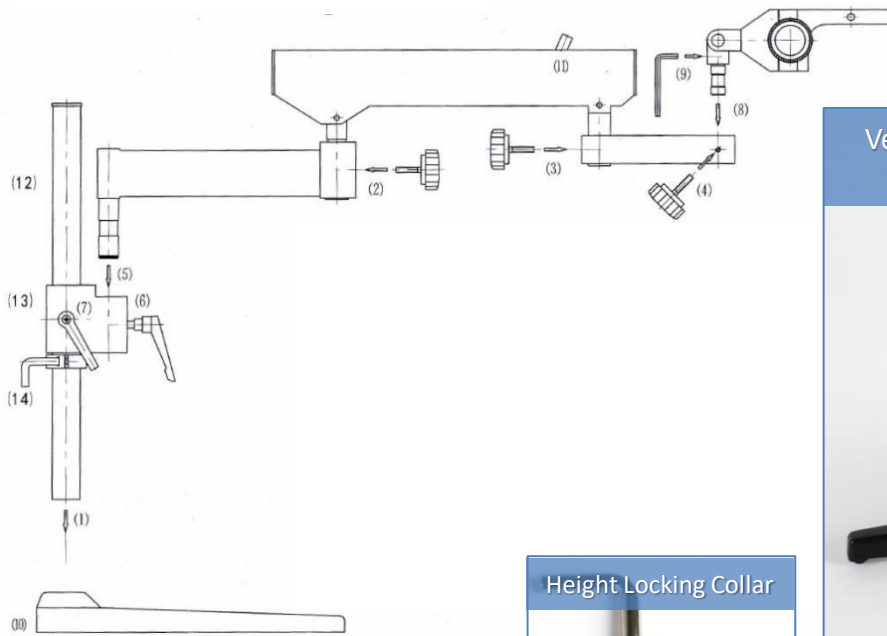
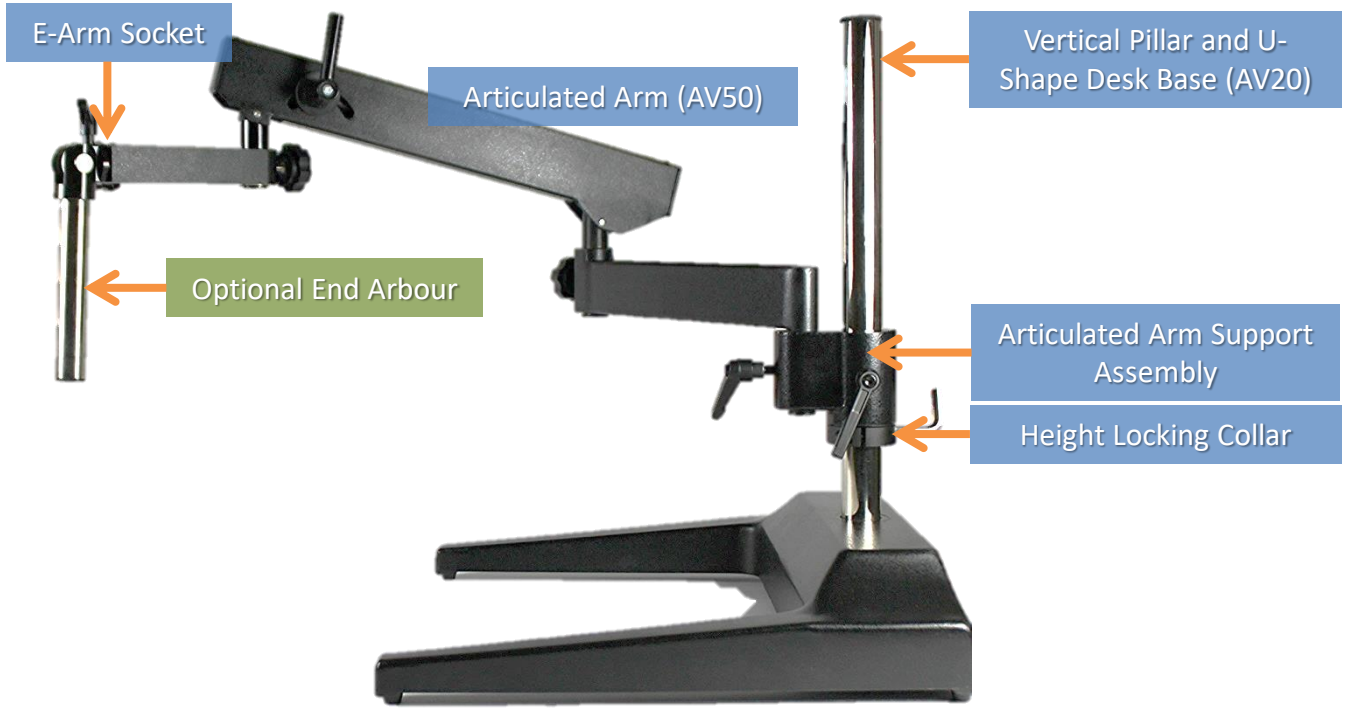
A30-40-60-25-7247 + Microscope & Camera
G-Clamp Pillar + Articulated Arm + 25mm End
Arbour + 76mm Microscope Holder + MZS-T
Ultra Long Working Distance Stereo Zoom
Trinocular Microscope Head (8176) + C-Mount
Camera Adapter (3898) + GXCAM HiChrome-
MET Camera with Built-in Screen (0843) +
iLUMos Dual Gooseneck LED Light (0511i)



A30-40-60-25-7247 + Microscope
G-Clamp Pillar + Articulated Arm + 25mm End
Arbour + 76mm Microscope Holder + Aspen
GTS6 Stereo Zoom Trinocular Microscope
Head (A1060H) + iLUMos Dual Gooseneck LED
Light (0511i)



A20-50 Long Reach, Articulated Arm, Desk Base Stand



A20-50 Long Reach, Articulated Arm, U-Shape Desk Stand

A20-50 Example Configurations

A20-50-60-25-7247

Desk Base Pillar + Articulated Arm + 25mm
End Arbour + 76mm Microscope Holder



A20-50-60-25-7247 + Microscope & Camera
Desk Base Pillar + Articulated Arm + 25mm
End Arbour + 76mm Microscope Holder +
MZS-T Ultra Long Working Distance Stereo
Zoom Trinocular Microscope Head (8176) + C-
Mount Camera Adapter (3898) + GXCAM
HiChrome-MET Camera with Built-in Screen
(0843) + iLUMos Dual Gooseneck LED Light
(0511i)



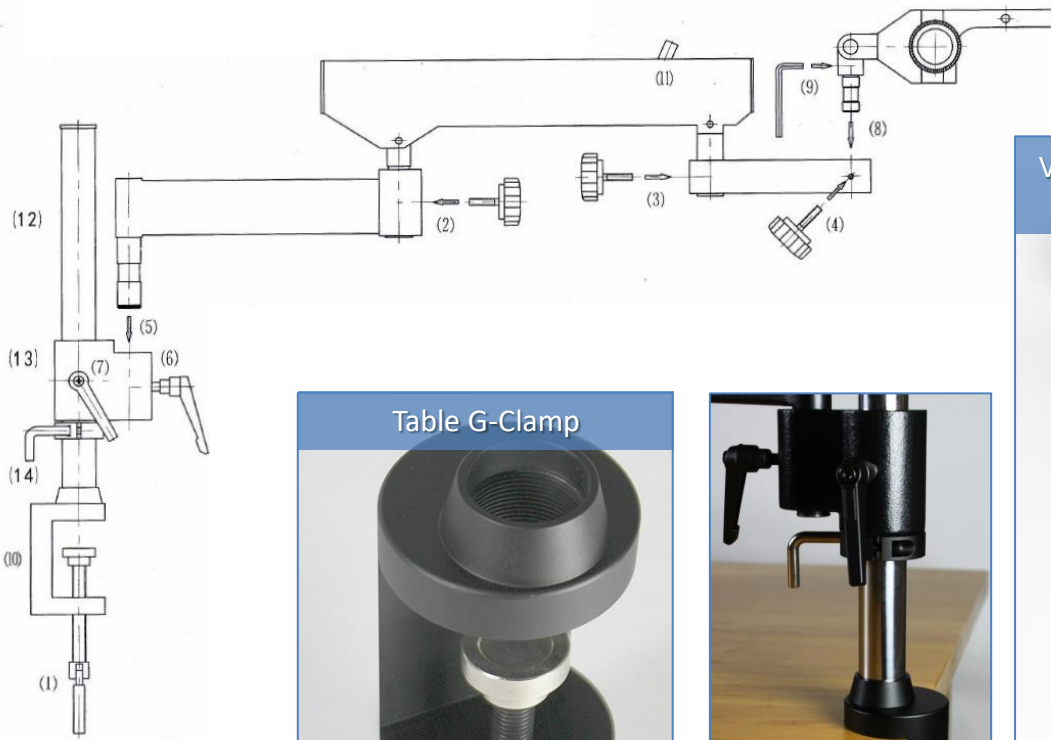
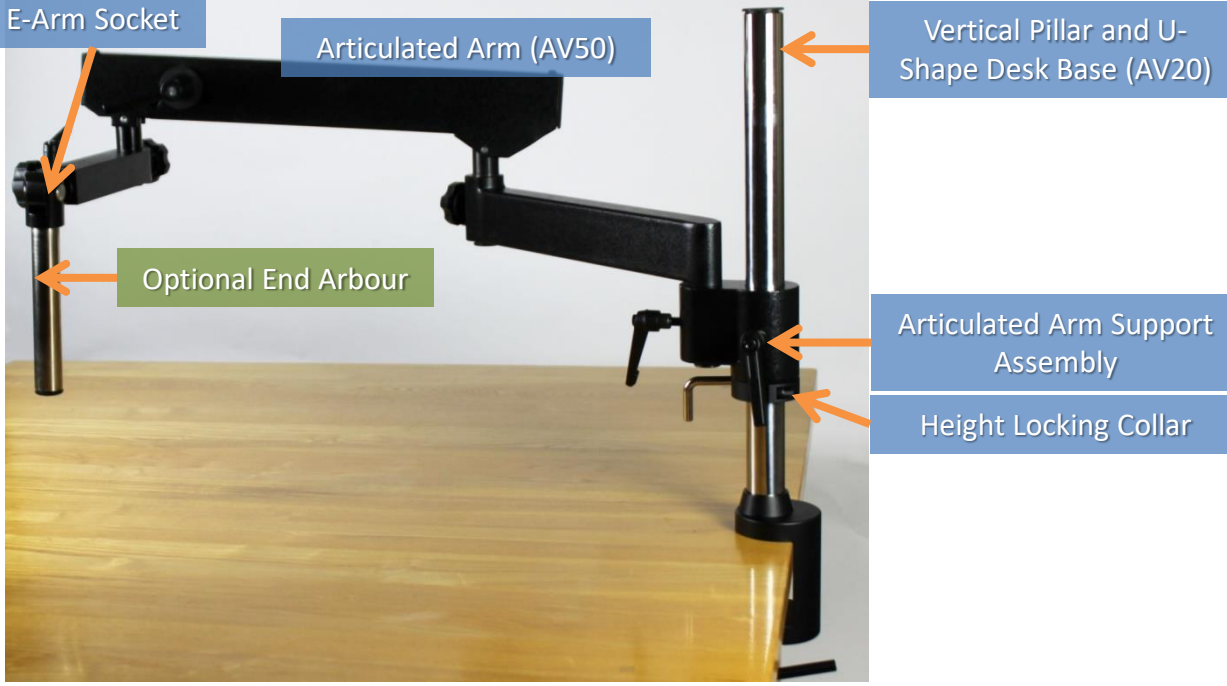
A20-50-60-25-7247 + Microscope
Desk Base Pillar + Articulated Arm + 25mm
End Arbour + 76mm Microscope Holder +
Aspen GTS6 Stereo Zoom Trinocular
Microscope Head (A1060H) + iLUMos Dual
Gooseneck LED Light (0511i)



A20-50-60-25-4673 + Microscope
G Desk Base Pillar + Articulated Arm + 25mm
End Arbour + 76mm Microscope Holder + XTL-
Axial View, Stereo Zoom Trinocular
Microscope Head (A1043) + iLUMos Dual
Gooseneck LED Light (0511i)



A30-50 Long Reach, Articulated Arm, G-Clamp Stand



A30-50 Long Reach, Articulated Arm, G-Clamp Stand

A30-50

Example Configurations

A30-50-60-25-4673

G-Clamp Pillar + Articulated Arm + 25mm End Arbour + 84mm Microscope Holder



A30-50-60-25-7247 + Microscope & Camera

G-Clamp Pillar + Articulated Arm + 25mm End Arbour + 76mm Microscope Holder + MZS-T Ultra Long Working Distance Stereo Zoom Trinocular Microscope Head (8176) + C-Mount Camera Adapter (3898) + GXCAM HiChrome-MET Camera with Built-in Screen (0843)



A30-50-60-25-7247 + Microscope

G-Clamp Pillar + Articulated Arm + 25mm End Arbour + 76mm Microscope Holder + Aspen GTS6 Stereo Zoom Trinocular Microscope Head (A1060H)

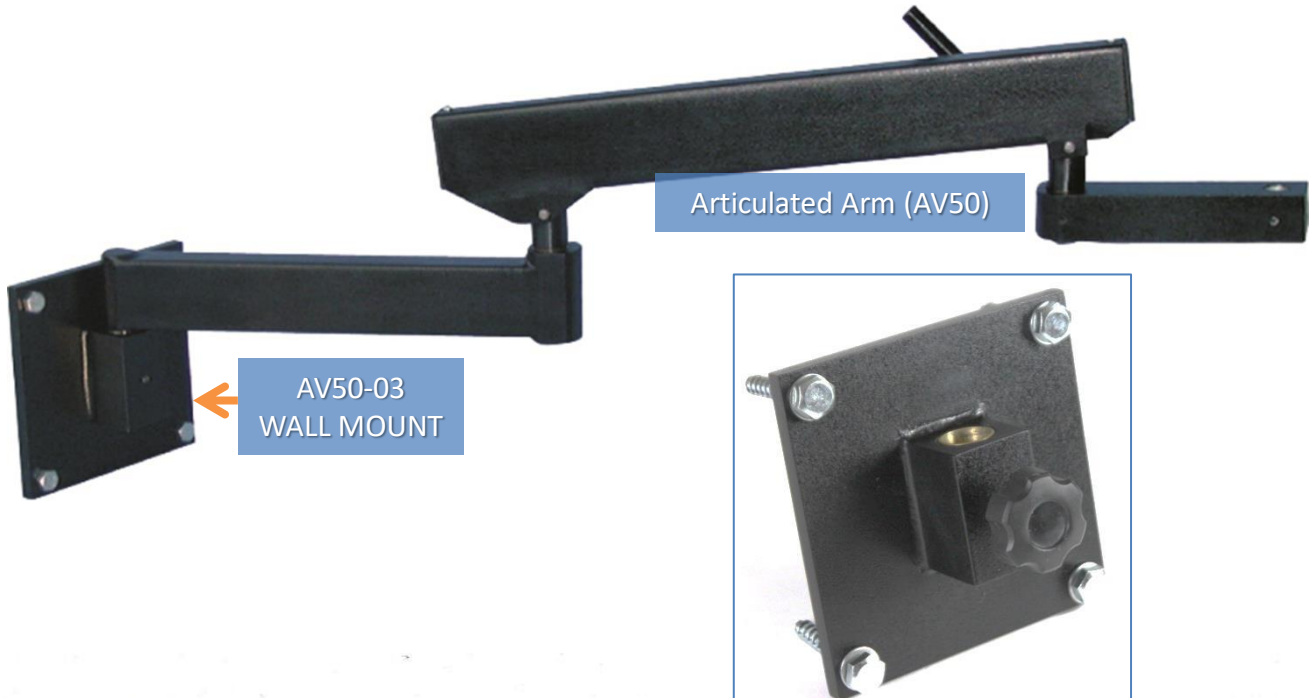


A30-50-60-25-4673 + Microscope

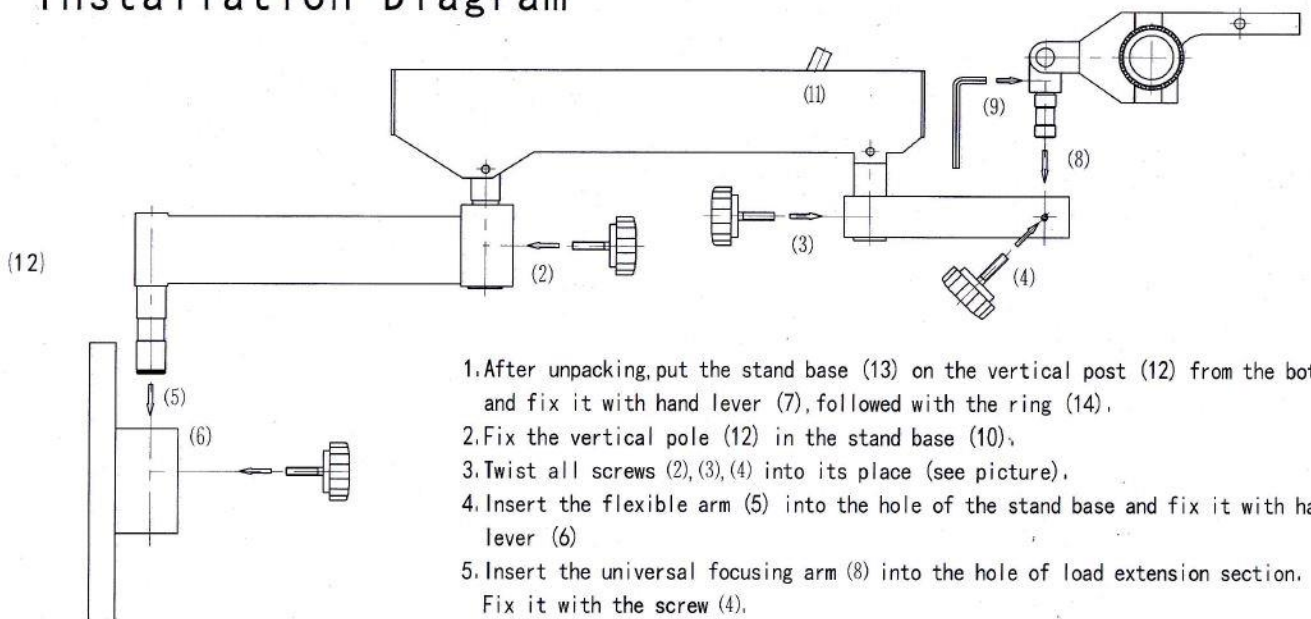
G-Clamp Pillar + Articulated Arm + 25mm End Arbour + 76mm Microscope Holder + XTL-Axial View, Stereo Zoom Trinocular Microscope Head (A1043)



A50-03-50 Wall Mounted Articulated Arm



Installation Diagram



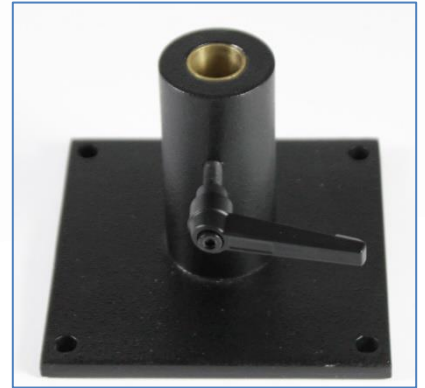
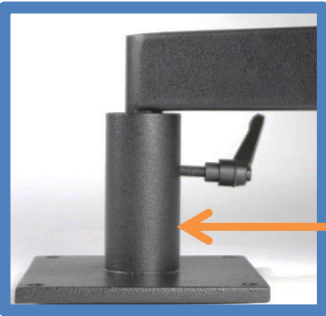
1. After unpacking, put the stand base (13) on the vertical post (12) from the bottom and fix it with hand lever (7), followed with the ring (14).
2. Fix the vertical pole (12) in the stand base (10).
3. Twist all screws (2), (3), (4) into its place (see picture).
4. Insert the flexible arm (5) into the hole of the stand base and fix it with hand lever (6)
5. Insert the universal focusing arm (8) into the hole of load extension section. Fix it with the screw (4).
6. There is a Allen screw in the joint of universal focusing arm, you can adjust the directions of focusing arm by loosening the Allen screw with hexagon wrench (9) for your requirement.
7. Through loosening the spring hand lever (11), you can increase or lower the working distance.

Caution: When you loosen the spring hand lever (11), be careful not to be injured by the strong bounce of the flexible arm.

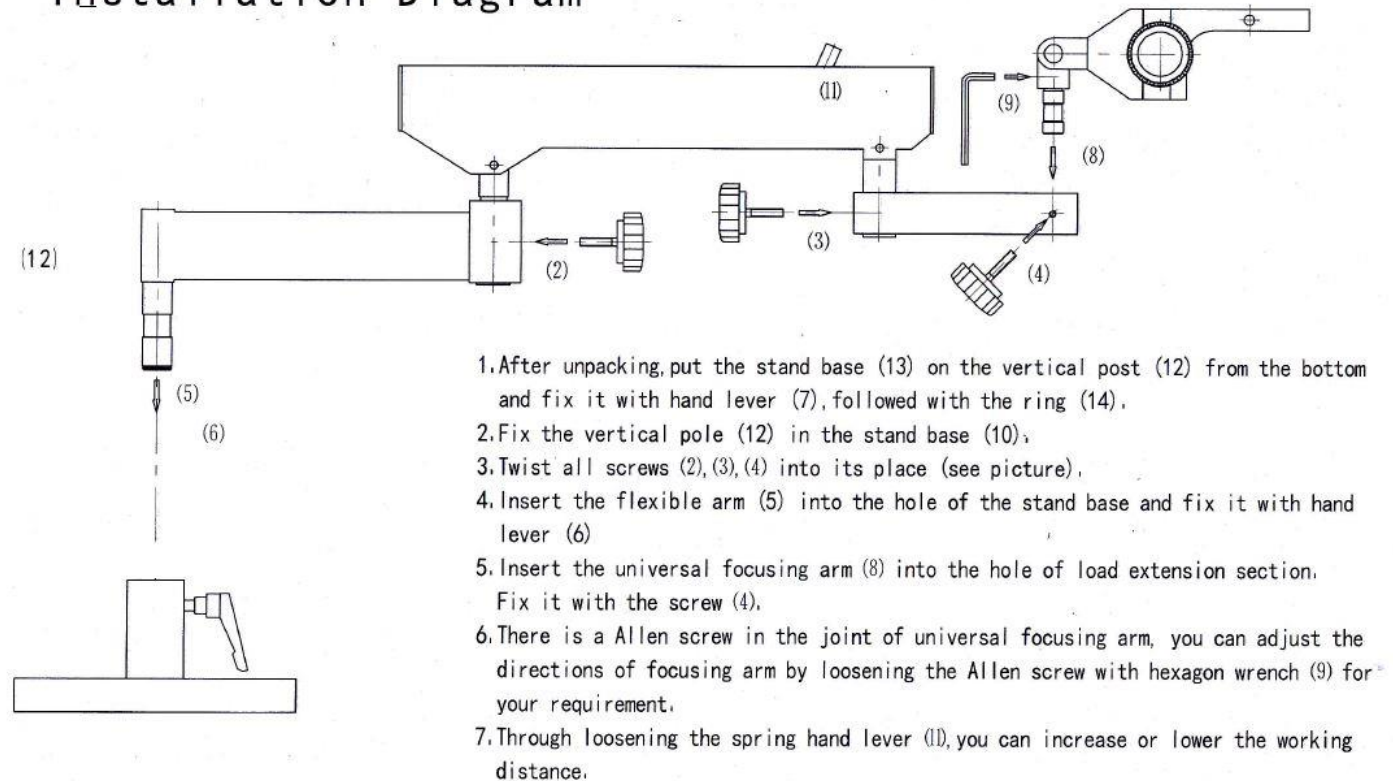
A50-02-50 Fixed Table Mounted AV50 Articulated Arm

Articulated Arm (AV50)

AV50-02
FIXED TABLE
MOUNT



Installation Diagram



Caution: When you loosen the spring hand lever (11), be careful not to be injured by the strong bounce of the flexible arm.

AV Series Stand Accessories

Optional End Arbours

An 'End Arbour' is a high grade steel pole onto which microscope holders (also known as focussing rings) and other devices can be attached. They are hinged at the top with a clamp so the angle of the arbour and therefore the attached holder can be adjusted. At the bottom they have a knurled cap which screws into the end, it is removed so that holders can be slid onto the arbour and it is then replaced to prevent any possibility of the holder from sliding off. At the top they have an 'E-Arm' which is a special 5/8th inch diameter spigot (with a recessed clamping section). This inserts into the end of the Boom Arm (or Articulated Arm) and is firmly clamped into place. End arbours are available in different diameters, the most common is 25mm and this must match the hole in the microscope holder.



AV60-25
25mm diameter

AV60-32
32mm diameter

Optional XY/Rotating Stages

XY and Theta Knob Controlled



Large Glide Stages



Magnetic PCB Clamps



Optional Microscope or Camera/Lens Holders

25mm Arbour Mounted Microscope Holders



7247 76mm Diam.
4673 84mm Diam.
AVH39 39mm Diam.

E-Arm Camera/Lens Holders with 1/4in. Tripod Mount



AV-TM-E
Tripod Mount

AV-TM-NE
Tripod Mount
N-Type

AV-TM-TNE
Tripod Mount
Track N-Type

E-Arm Microscope Holders



AVH76E 76mm Diam.
AVH84E 84mm Diam.



AVH39E 39mm Diam.



AVH76TE 76mm Diam.
AVH84TE 84mm Diam.



AVH39TE 39mm Diam.

Optional Tilt Stages



Optional Measuring Stages



AV Series Stand SPECIFICATIONS

Item	Max. Length (mm)	Max Length incl microscope holder (mm)	Pillar (mm)	Base, G-Clamp, Wall Mount Dimensions (mm)	Notes
COMPONENTS:					
AV20 U-shape Desk Base with vertical pillar			390 H x 31.3 Diam.	WxLxH 415x416x85	
AV30 G-Clamp with vertical pillar			390 H x 31.3 Diam	Clamp max opening size 57mm	Clamp on ball joint for firm clamping
AV50 Articulated Arm	845	995			4 lockable articulation points. Springloaded height adjustment range of 265mm with clamp. Terminates in E-Arm Socket 5/8in ID
AV40 Horizontal Boom Arm	545	690			
AV50-02 Fixed Small Desk Mount for use with AV50				150x150	Hole centres are 125mm apart
AV50-03 Wall Mount for use with AV50				150x150	Hole centres are 125mm apart
COMPLETE STANDS:					
A20-40 (AV20+AV40) Desk Base + Boom Arm	545	690	390 H x 31.3 Diam	WxLxH 415x416x85	Requires end arbour and microscope/camera/lens holder - see accessories
A30-40 (AV30+AV40) G-Clamp + Boom Arm	545	690	390 H x 31.3 Diam	Clamp max opening size 57mm	Requires end arbour and microscope/camera/lens holder - see accessories
A30-50 (AV30+AV50) G-Clamp + Articulated Arm	845	995	390 H x 31.3 Diam	Clamp max opening size 57mm	Requires end arbour and microscope/camera/lens holder - see accessories
A20-50 (AV20+AV50) Desk Base + Articulated Arm	845	995	390 H x 31.3 Diam.	WxLxH 415x416x85	Requires end arbour and microscope/camera/lens holder - see accessories
A50-03-50 (AV50-03+AV50) Wall Mount + Articulated Arm	845	995		150x150	
A50-02-50 (AV50-02+AV50) Fixed Small Desk Mount + Articulated Arm	845	995		150x150	